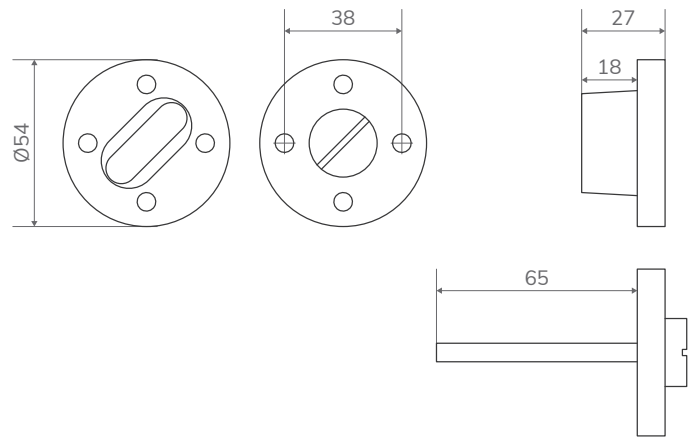




SMART AND EFFECTIVE SOLUTION

Apecs turn & release lock offers a smart and effective solution for commercial and residential doors. Its simple but sophisticated design and 304 grade stainless steel provide style and durability. Coin release locking mechanism for emergency access and a coloured segment to signal if engaged or vacant. This set is a great match for APECS Stainless Steel Handles.



- 304 Stainless Steel for high corrosion resistance
- Both options of bolt through and screw fixings included
- Concealed fix round rose
- Ergonomic thumbturn

| | |
|----------------|---------------------------|
| Material | Grade 304 Stainless Steel |
| Rose diameter | 54mm |
| Rose thickness | 9mm |
| Spindle length | 65mm |
| Finish | Satin |



WEATHERPROOF



LAB TESTED