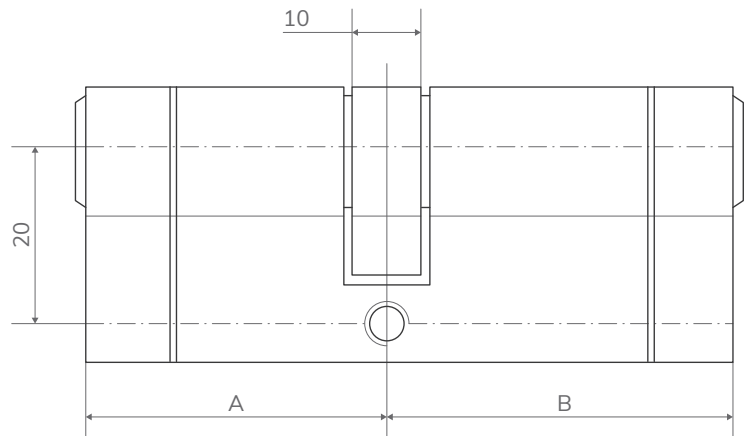




STANDARD CYLINDER WITH SACRIFICIAL CUTS OFFERING A GOOD LEVEL OF SECURITY AT AN AFFORDABLE PRICE

The APECS BC cylinder has been updated for 2020 with sacrificial cuts, anti pick and anti drill pins to add extra layers of security. With brass differ and driver pins as well as a single row of 6 pins, the APECS BC open profile cylinder offers great value for money. APECS BC open profile cylinder is suitable for any euro profile lock and will fit uPVC, timber and any other entrance doors when security is required with a moderate level of protection.



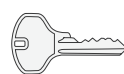
CERTIFICATES

- Tested to EN1303:2015 — 16000C30

SECURITY INFORMATION

- Brass differ and driver pins
- Single row - 6 pins
- Sacrificial cuts
- Anti pick pins
- Anti drill pins

Material	Brass
Cylinder mechanism type	Pin tumbler
Effective differs	In excess of 15,000
Number of pins	6
Sizes	60-110mm & of sets
Variations	Key-Key & Thumbturn
Key type	Standard key
Number of keys	3
Finish	Brass/Nickel



STANDARD KEY



ANTI-PICK



ANTI-DRILL



SACRIFICIAL CUTS



LAB TESTED