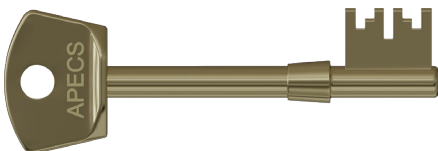
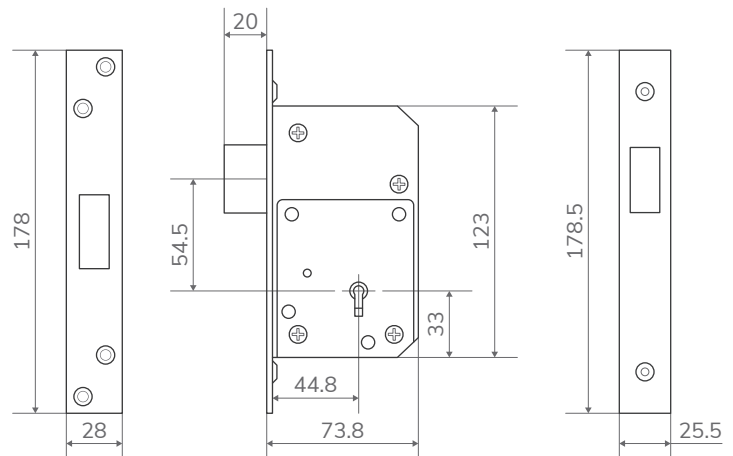
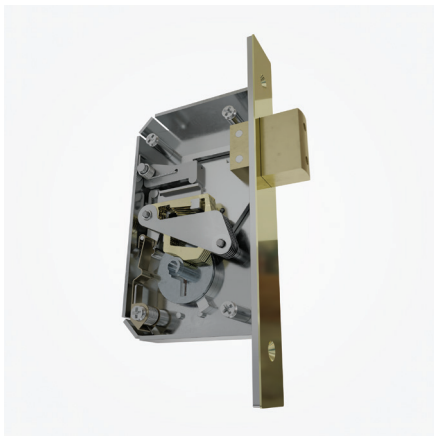




APECS LX5 LEVER DEADLOCK IS AN IDEAL SOLUTION FOR MOST RESIDENTIAL AND COMMERCIAL TIMBER DOORS

APECS LX5 is a lever deadlock that provides the maximum level of security. This lock is specifically engineered to offer a modern, enhanced alternative to other lever deadlocks on the market. APECS has modified the traditional British 5-lever high-security deadlock, by developing its own unique springless mechanism. This mechanism delivers lost motion action and helps to secure the lock from picking, as well as provide long-lasting durability. The lock features a solid brass 20mm deadbolt, reinforced with hardened steel pins, which guarantees the highest level of protection from drilling and sawing. In addition, LX5 comes with hardened steel plates on each side to withstand severe drill attacks. The lock can also be fitted with either a single or double pole micro switch, to have the door additionally secured with an alarm. APECS LX5 is an ideal retrofit upgrade for 5-lever deadlocks on the market, as well as a great choice for new entrance doors.



THE LOCK COMES WITH 2 LEVER KEYS MADE OF BRASS, AND HAS A FAMILIAR BRITISH DESIGN

Material	Steel
Backset	44mm
Case width	28mm
Case depth	73.8mm
Case height	123mm
Faceplate width	25.5mm
Faceplate length	178.5mm
Packaging type	Cardboard

UNIQUE FEATURES

- Springless lever mechanism provides long-lasting durability and lost motion action
- Unique mechanism provides smooth key operation
- Anti-saw: 20mm deadbolt with hardened steel pins
- Anti-drill: hardened steel plates on both sides
- Anti-pick: unique springless lever mechanism
- Space to fit single or double pole micro switches
- Easy retrofit solution



SCAN THE QR CODE
TO WATCH
PRODUCT VIDEO

CERTIFICATES

- Tested to BS3621:2007



KM687294



ANTI-PICK



ANTI-DRILL



ANTI-SAW



L ↔ R



LAB TESTED



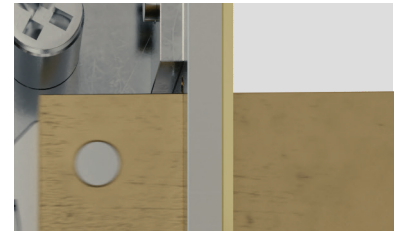
HARDENED STEEL PLATES

On each side to withstand severe drill attacks.



EXTRA SECURITY

Can be fitted with double pole micro switch to have the door additionally secured with an alarm.



UNIVERSAL APPLICATION

Can be fitted on left side or right hand side doors.



EXTRA STRONG 20MM DEADBOLT

Made of solid brass and has additional Hardened Steel pins, which guarantees the highest level of protection from drilling and sawing.



SPRINGLESS LEVER MECHANISM

Unique mechanism, developed by APECS, that delivers lost motion action, and maximizes the level of protection from picking.



SYNCHRONIZING CAM THROWER

Helps to deliver lost motion action and aids in delivering long-lasting durability.