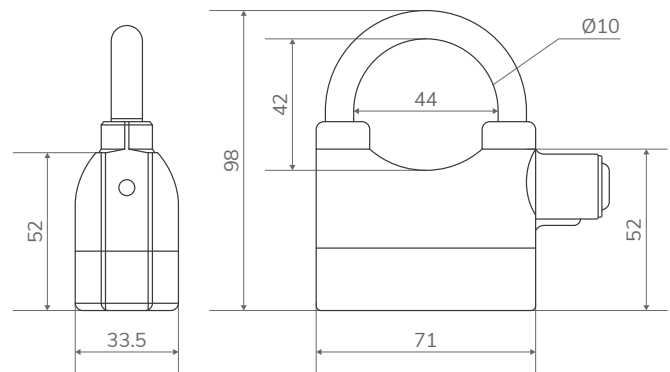




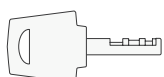
BATTERY-POWERED PADLOCK

APECS PDZ is a battery-powered padlock with a built-in 110Db siren. It detects shock motion — if the body or shackle are attacked, the siren is activated until manipulations are stopped. Its zinc alloy body and heat processed Hardened Steel shackle ensure it is resilient to cutting and is corrosion resistant. The padlock is extensively used for vehicles, tool boxes, garden sheds, warehouses and many more applications. In addition, the alarm can be disabled when not required.



- 110Db twin tone siren
- Attack and shock sensor
- Hardened Steel shackle - 10mm
- Waterproof
- Frost-resistant
- High-security locking mechanism
- Extra set of LR44 button cell batteries

Material	Zamac / Steel
Locking Mechanism	Cylinder
Height	98mm
Width	71mm
Shackle	Hardened Steel
Shackle height spacing	42mm
Shackle width spacing	44mm
Number of keys	3
Finish	Black



DISC TUMBLER KEY



ANTI-PICK



ANTI-SAW



LOUD ALARM



WEATHERPROOF



LAB TESTED