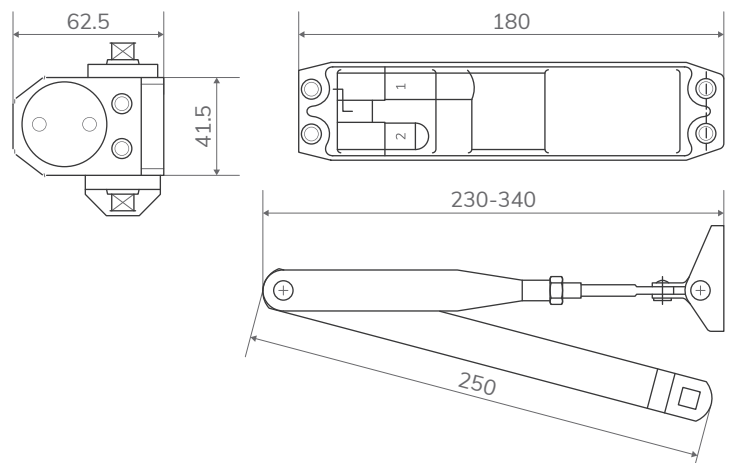


### THE COMPACT FIXED POWER FIRE RESISTANT OVERHEAD DOOR CLOSER

APECS DC 204 is a compact fixed power fire resistant overhead door closer, which is suited to most common aluminium, timber or hollow metal doors and frames. This door closer exhibits characteristics of performance, durability and quality that specifiers have come to expect from APECS. As a standard, DC 204 comes with a screw thread armset with a straightforward installation.



- Operational temperature environment -30 to +60 °C
- Corrosion tested — 240 hours NSS
- In-house fire resistance tested for 60 minutes
- Hold Open Arm made of Hardened Steel
- Architrave bracket included
- Max opening — 180°
- Operation — 500,000 cycles

Material	Steel
Height	41.5mm
Width	180mm
Depth	62.5mm
Hold Open Arm	250mm
Arm adjustable	230-340mm
Power size	4
Max door width	1050mm
Max door weight	85kg
Finish	Silver

