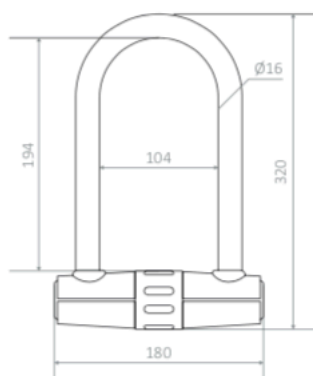


BICYCLE LOCKS:

DISC TUMBLER KEY 

BL 16 BICYCLE LOCK

APECS BL 16 PROVIDES A HEAVY DUTY BICYCLE LOCK SOLUTION IDEAL WHEN LEFT FOR AN EXTENDED PERIOD OF TIME



APECS BL16 provides a high security option for protecting a bicycle, with a Hardened Steel 16mm shackle. The lock has been tested to Art 4051 4*. Rubber protective coating keeps your frame paintwork scratch-free. Double bolt locking mechanism for an extensive holding power and a high security disc style cylinder to withstand picking.

- ART 4051 certificate 4*
- Hardened Steel shackle — 16mm
- Weatherproof
- Frost-resistant
- High-security locking mechanism

Material	Steel
Locking mechanism	Disc tumbler
Height	320mm
Width	180mm
Shackle	Hardened Steel
Shackle height spacing	194mm
Shackle width spacing	104mm
Number of keys	2
Finish	Black & Grey

