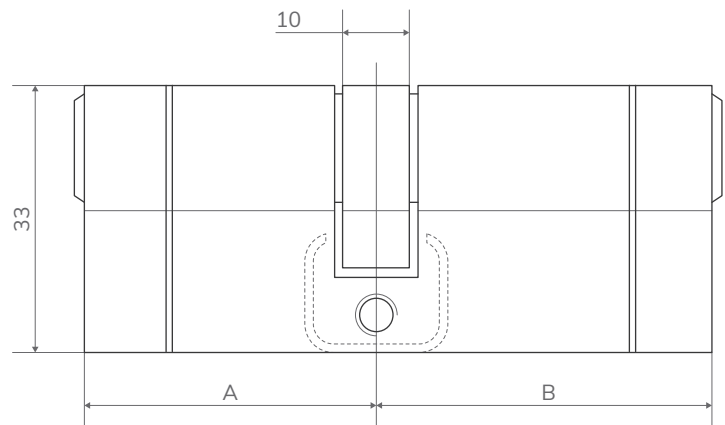




HIGH SECURITY LOCKING SOLUTION

The APECS N6 open profile cylinder provides a very high security locking solution. The cylinder offers protection from the main forced entry methods of attack; drilling, picking, bumping and plug extraction. With sacrificial cuts on both sides of the cylinder and grub screws for easy repinning, this BSI 1 Star Kitemark cylinder is the perfect high security locking solution.



UNIQUE FEATURES

- U-shaped Stainless Steel protection pin & sacrificial cut
- Grub screws for easy repinning

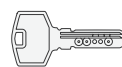
CERTIFICATES

- BSI 1 Star Kitemark – KM621947
- Tested to TS007:2014 A1:2015
- Tested to EN1303:2005 — 16000C62*

SECURITY INFORMATION

- Anti-pick: 4 anti-pick pins on each side
- Anti-bump: shallow chamber
- Anti-drill: 3 anti-drill pins on each side
- Anti-plug extraction
- Brass differ and driver pins
- Stainless Steel springs

Material	Brass
Cylinder mechanism type	Pin tumbler
Effective differs	In excess of 117,000
Number of pins	5 or 6
Sizes	62-110mm & offsets
Variations	Key-Key & Thumbturn
Key type	Dimple key
Number of keys	3
Finish	Brass / Satin Nickel



DIMPLE KEY



ANTI-PICK



ANTI-BUMP



ANTI-DRILL



PLUG EXTRACTION PROTECTION



SACRIFICIAL CUTS



LAB TESTED