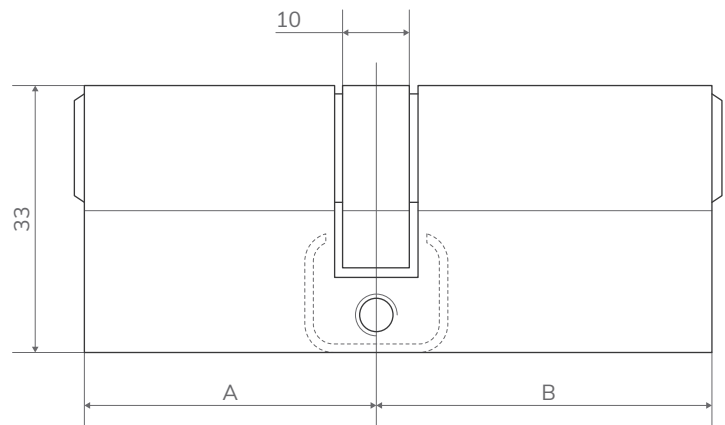




OFFERING RESISTANCE AGAINST THE MOST COMMON METHODS OF ATTACK

APECS XS open profile cylinder offers a high security locking solution at an affordable price. The cylinder offers protection from the main forced entry methods of attack: drilling, picking, bumping and plug extraction. This cylinder is a BSI 1 Star Kitemark cylinder which has 4 anti-pick pins and 3 anti-drill pins on each side as well as a shallow chamber and a u-shaped stainless steel protection pin that prevents plug extraction.



UNIQUE FEATURES

- U-shaped Stainless Steel protection pin that prevents from plug extraction

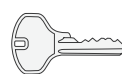
CERTIFICATES

- BSI 1 Star Kitemark – KM621947
- Tested to TS007:2014 A1:2015
- Tested to EN1303:2005 — 16000C62*

SECURITY INFORMATION

- Anti-pick: 4 anti-pick pins on each side
- Anti-bump: shallow chamber
- Anti-drill: 3 anti-drill pins on each side
- Anti-plug extraction
- Brass driver and driver pins
- Stainless Steel springs

Material	Brass
Cylinder mechanism type	Pin tumbler
Effective differs	In excess of 117,000
Number of pins	6
Sizes	70-110mm & offsets
Variations	Key-Key & Thumbturn
Key type	Standard key
Number of keys	3
Finish	Brass / Satin Nickel



STANDARD KEY



ANTI-PICK



ANTI-BUMP



ANTI-DRILL



PLUG EXTRACTION PROTECTION



LAB TESTED