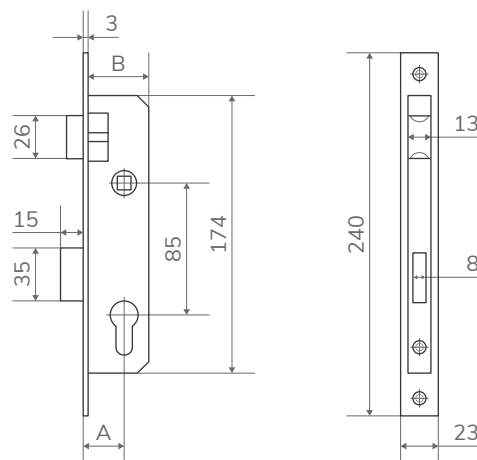




NARROW PROFILE SASHLOCK FOR ALUMINIUM DOORS

APECS NP75 is ideal for slimline aluminium profiles and can also be used on uPVC and timber doors when 85 PZ centres are required, but where multi-point locking is not possible and/or not needed. The advantage of locks in this series is their wide range of backsets (20mm-45mm), providing a solution for virtually any narrowstyle doors. The latch is reversible with a simple twist to quickly and easily change the handling of the lock.



- Perfect for aluminium doors
- Accepts euro profile cylinder locks
- Reversible latch bolt
- Provides both latch and deadbolt locking
- Striking plate and screws are included
- Operation — 250,000 cycles
- Corrosion tested — 72 hours NSS

Material	Steel
A — Backset (mm)	20/25/30/35/40/45
Centres	85mm
B — Case depth (mm)	37/42/47/52/63/68
Case width	13mm
Case height	174mm
Faceplate width	23mm
Faceplate length	240mm
Bolt throw	15mm
Spindle hole	8mm
Finish	Nickel

