

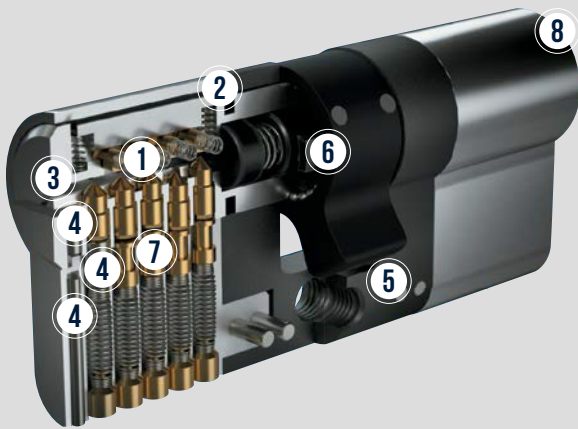
AP CYLINDER

APECS AP — MAXIMUM LEVEL OF SECURITY AGAINST FOR INTERNAL TIMBER DOORS

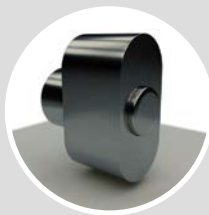
LOCK SNAPPING IS THE MOST COMMON METHOD OF ATTACK. THE APECS AP CYLINDER IS SPECIALLY DEVELOPED TO PROTECT FROM UNAUTHORISED ACCESS BY BURGLARS.

The AP cylinder is engineered with a unique sacrificial point where it is designed to snap in a way not to allow further damage of the lock inside. The snapping occurs at a strategic distance from the cylinder's vulnerable central section, leaving the burglar virtually powerless.

In the event of snapping, the home owner can still operate the door and exit the property due to the lock's unique mechanism, which is engaged when the cylinder's external part is snapped off. This mechanism slides the clutch in place, preventing further external damage and manipulation of the cam, while securing the opportunity to operate the lock from the inside.



1. Double locking mechanism with track pins
2. Snap secure sacrificial point
3. Anti-plug extraction
4. Hardened Steel pins in the core and in the body
5. Hardened Steel cam protection block
6. Patent-pending interlocking mechanism
7. Special grooved pins
8. Operable from inside after external snap



AVAILABLE AS
A KEY-KEY
OR KEY-THUMBTURN



SCAN THE QR CODE
TO WATCH
PRODUCT VIDEO



Plug extraction protection



Anti-pick



Anti-bump



Anti-drill



Anti-snap



SOLD SECURE
Diamond Grade
CLM080161454



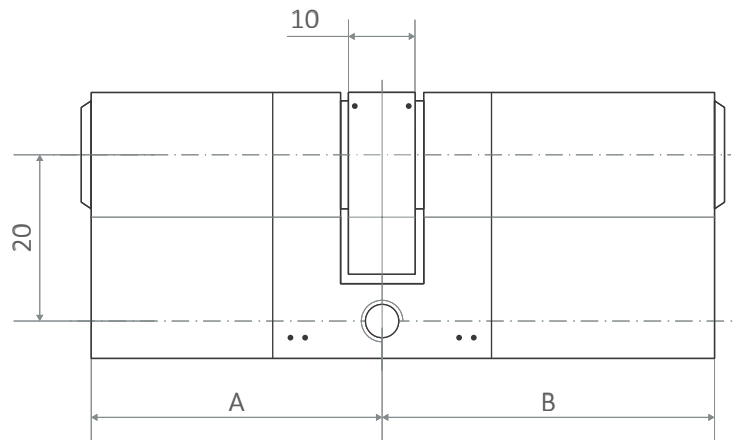
KM 62197



SOLD SECURE
Kitemark

bsi.

PATENT PENDING



The APECS AP cylinder offers maximum protection. It safeguards from all forced methods of attack, ranging from snapping, drilling, plug-extraction, picking and bumping.

It also features an interlocking mechanism with a unique cam protection block and is operable from inside when the lock is tampered with externally.

CERTIFICATES

- BSI 3 Star Kitemark – KM621947
- Sold Secure Diamond Standard – CLME08161454
- Tested to TS007:2014 A1:2015
- Tested to EN1303:2015 — 16000C6D

SECURITY INFORMATION

- Anti-pick: 4 pins on each side
- Anti-bump: double locking mechanism with track rail pins in combination with a unique shallow chamber
- Anti-drill: 1 pin on each side
- Snap-secure sacrificial point
- Restricted key profile
- 5-year guarantee

Material	Brass/Hardened Carbon Steel
Cylinder mechanism type	Pin tumbler
Effective differs	In excess of 180,000
Number of pins	9
Sizes	70-110mm and offsets
Variations	Key-Key & Thumbturn
Key type	Restricted profile dimple key
Number of keys	3
Finish	Brushed Brass/Brushed Satin Nickel

UNIQUE FEATURES:

- Double locking mechanism with additional track rail pins
- Patent pending interlocking mechanism and hardened cam protection block prevents from snapping and plug extraction
- Patent pending ball-bearing connection ensures additional operation smoothness and strong fixing between the cylinder core and the cam
- Operable from inside when lock is tampered with externally